

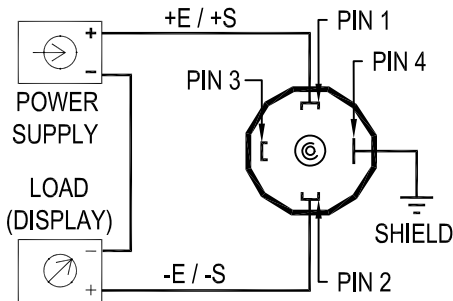
FUTEK MODEL PMP450

PRESSURE SENSOR (INDUSTRIAL)

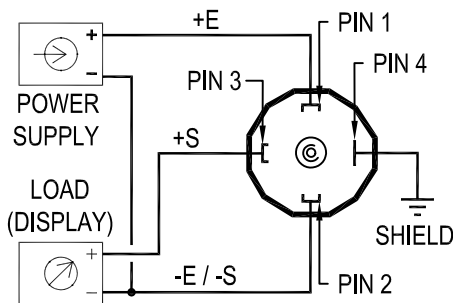
Drawing Number: FI1279-D

INCH [mm] | R.O.= Rated Output

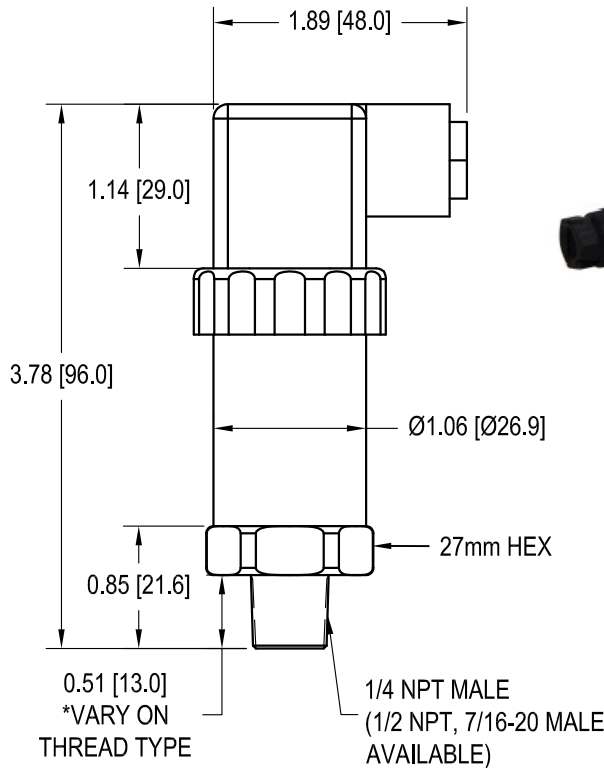
+Excitation	-Excitation	+Signal	-Signal
RED	BLACK	GREEN	WHITE



2-WIRE FOR CURRENT



3-WIRE FOR VOLTAGE



GAUGE / RELATIVE RANGES		
CAPACITY PSI	MAX PSI	BURST PSI
50 in. H2O	14	29
5	29	35
10	58	69
25	145	170
60	240	290
100	500	600
300	1160	1390
500	1160	5800
1000	1740	7970
2000	4600	14500
3000	7200	17400
5000	11600	24650
10000	17400	34800
15000	21750	43500

ABSOLUTE RANGES		
CAPACITY PSIA	MAX PSI	BURST PSI
15	58	69
25	145	170
50	240	290
100	500	600
250	1160	1390
500	1160	5800

SPECIFICATIONS:

RATED OUTPUT	4-20 mA [0-10 VDC available]
CAPACITY	See Chart
MAXIMUM PRESSURE	See Chart
BURST PRESSURE	See Chart
EXCITATION	10-30 VDC [14-30 VDC for Voltage Output]
MAXIMUM LOAD (Ohm)	(Excitation - 10V) / 0.02A [$>10,000$ ohm for Voltage Output]
ACCURACY	$\pm 0.25\%$ of R.O. (BFSL)
NONLINEARITY	$\pm 0.2\%$ of R.O. (BFSL) ; $\pm 0.4\%$ of R.O. (End Point)
HYSTERESIS	$\pm 0.15\%$ of R.O.
NON-REPEATABILITY	$\pm 0.10\%$ of R.O.
RESPONSE TIME	≤ 1 ms
TEMP. SHIFT ZERO	$\pm 0.011\%$ of R.O./ $^{\circ}$ F (0.02% of R.O./ $^{\circ}$ C)
TEMP. SHIFT SPAN	$\pm 0.011\%$ of LOAD/ $^{\circ}$ F (0.02% of LOAD/ $^{\circ}$ C)
COMPENSATED TEMP.	32 to 176 $^{\circ}$ F (0 to 80 $^{\circ}$ C)
OPERATING TEMP. (MEDIUM)	-22 to 212 $^{\circ}$ F (-30 to 100 $^{\circ}$ C)
OPERATING TEMP. (BODY)	-4 to 176 $^{\circ}$ F (-20 to 80 $^{\circ}$ C)
STORAGE TEMP.	-40 to 212 $^{\circ}$ F (-40 to 100 $^{\circ}$ C)
WEIGHT	Approx. 6.4 oz
MATERIAL (BODY/WETTED PARTS)	Stainless Steel
CE CONFORMITY	2004 /108/ EG EMC Directive EN 61 326 Emission Group 1, Class B Immunity Industrial Locations 97/23/EC Pressure Equipment Directive
SHOCK RESISTANCE	1000g (IEC 60068-2-27)
VIBRATION RESISTANCE	20g (IEC 60068-2-6)
WIRING PROTECTION	Reverse Polarity, Overvoltage and Short Circuit
CONNECTOR: DIN EN 175301-803 (DIN 43 650) w/ Plug Connector	
CALIBRATION	CERTIFICATE OF CONFORMANCE INCLUDED NIST TRACEABLE 5 pt. CALIBRATION AVAILABLE



This drawing is submitted solely for the information and exclusive use of the original addressee. It is not to be divulged in whole or in part, by any firm or individual without written permission from FUTEK

CAGE CODE # 1X8M6

10 THOMAS
IRVINE, CA 92618 USA
1-800-23-FUTEK (38835)

INTERNET:
<http://www.futek.com>