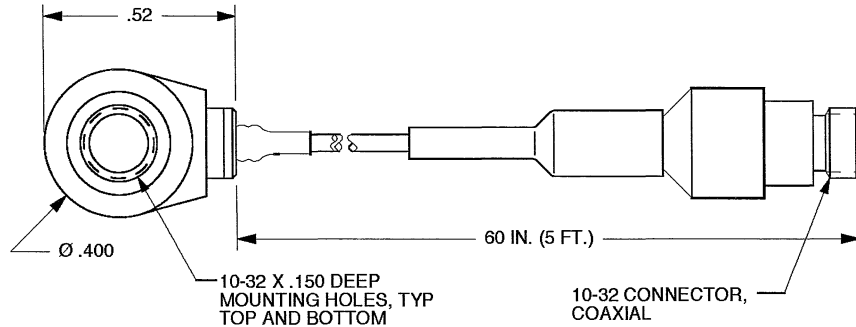


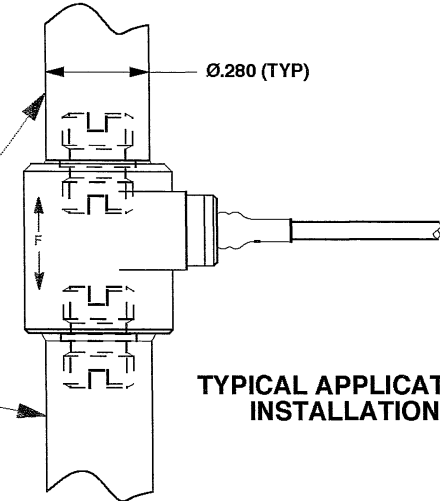
DYTRAN PROPRIETARY AND CONFIDENTIAL

THE INFORMATION CONTAINED IN THIS DRAWING IS THE SOLE PROPERTY OF DYTRAN INSTRUMENTS, INC. AND ANY REPRODUCTION IN PART OR AS A WHOLE OR ANY OTHER DISSEMINATION OF THIS INFORMATION WITHOUT THE WRITTEN PERMISSION OF DYTRAN INSTRUMENTS, INC. IS PROHIBITED.

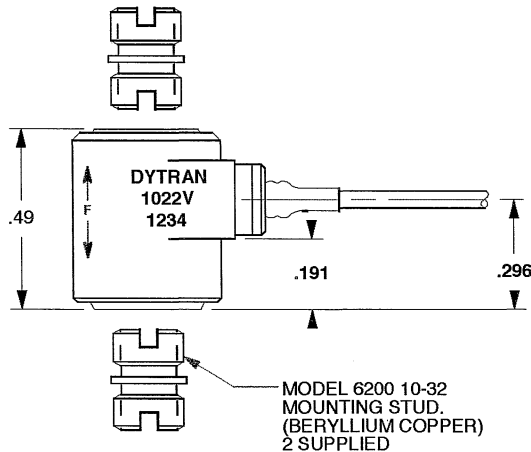
REV	ECN	DESCRIPTION	BY/DATE	CHK	APPR
A	6092	INITIAL RELEASE	NC/6-30-10	<i>EP</i>	<i>[Signature]</i>



DRIVING RODS (STINGERS) TO FORCE EXCITER AND TO DRIVEN SPECIMEN



TYPICAL APPLICATION INSTALLATION



MODEL 6742
INSTALLATION/REMOVAL
TOOL, SUPPLIED

- UNLESS OTHERWISE SPECIFIED, ALL DIMENSIONS ARE IN INCHES.
- WEIGHT: LESS CABLE, 4.2 GRAMS.
- NOMINAL SENSITIVITY: 100 mV/Lb. COMPRESSION PRODUCES POSITIVE-GOING OUTPUT VOLTAGE.
- HOUSING AND LOAD BEARING SURFACES ARE Ti 6Al-4V TITANIUM ALLOY.

		<h1>MASTER ONLY IF IN REI</h1>		CHATSWORTH, CA.	
SCALE 2X	DESIGN N.C.	DATE 7-22-09			
DRAWN N.C.	DATE 7-22-09	PART NO. MODEL 1022V			
CHECKED <i>EP</i>	DATE 10/29/10	MAT'L SEE NOTES			REV A
APPROVED <i>EP</i>	DATE 11/1/10	NEXT ASSEMBLY	USED ON 1022V		
TITLE OUTLINE/INSTALLATION DRAWING, MODEL 1022V IEPE FORCE SENSOR			DWG NO. 127-1022V		
SHEET 1 OF 1					



- MINIATURE DYNAMIC FORCE SENSOR
- LOW MASS
- EXCELLENT LINEARITY

PHYSICAL
 Weight (less cable)
 Size Height X Diameter
 Connector [1]
 Type
 Material
 Housing
 Material
 Isolation
 Mounting Provision
 Sensing Element
 Material
 Mode

ENGLISH		SI	
Weight (less cable)	0.16 oz	4.50 grams	
Size Height X Diameter	0.49 x 0.40 Inches	12.44 x 10.16 mm	
Connector [1]	10-32	10-32	
Type	Ti 6Al-4V	Ti 6Al-4V	
Material	Ti 6Al-4V	Ti 6Al-4V	
Housing	Case grounded	Case grounded	
Material	[2]	[2]	
Isolation	Quartz	Quartz	
Mounting Provision	Compression	Compression	
Sensing Element	Quartz	Quartz	
Material	Compression	Compression	
Mode			

PERFORMANCE
 Sensitivity, ± 10 %
 Range, Full Scale
 Stiffness
 Linearity [3]
 Max Shock, Unloaded
 Max Vibration, Unloaded
 Mounted Resonant Frequency, Unloaded
 Noise Resolution
 Strain Sensitivity @250µs
 Transverse Sensitivity, Max

Sensitivity, ± 10 %	100 mV/LbF	22.5 mV/N	
Range, Full Scale	± 50 LbF	± 222 N	
Stiffness	26 Lb/µin	2039 kN/µm	
Linearity [3]	± 1 % Full Scale	± 1 % Full Scale	
Max Shock, Unloaded	5000 g's	5000 g's	
Max Vibration, Unloaded	± 2500 g's	± 2500 g's	
Mounted Resonant Frequency, Unloaded	50 kHz	50 kHz	
Noise Resolution	0.0004 LbF rms	0.0018 N rms	
Strain Sensitivity @250µs	0.006 LbF/µε	0.027 N/µε	
Transverse Sensitivity, Max	5 %	5 %	

ELECTRICAL
 Supply Current Range [4]
 Compliance Voltage Range
 Output Impedance, Typ
 Bias Voltage
 Discharge Time Constant
 F.S. Output Voltage, Nom
 Output Signal Polarity
 Compression
 Tension

Supply Current Range [4]	2 to 20 mA	2 to 20 mA	
Compliance Voltage Range	18 to 30 Volts	18 to 30 Volts	
Output Impedance, Typ	150 Ω	150 Ω	
Bias Voltage	+7.5 to +9.5 VDC	+7.5 to +9.5 VDC	
Discharge Time Constant	>100 Sec	>100 Sec	
F.S. Output Voltage, Nom	5 Volts, peak	5 Volts, peak	
Output Signal Polarity	Positive	Positive	
Compression	Negative	Negative	
Tension			

ENVIRONMENTAL
 Operating Temperature
 Environmental Seal

Operating Temperature	-100 to +250 °F	-73 to +121 °C	
Environmental Seal	Welded/Epoxy	Welded/Epoxy	

This family also includes:

Model	Sensitivity (mV/LbF)	Range (LbF)	Linearity (% Full Scale)	Oper. Temp(°F)

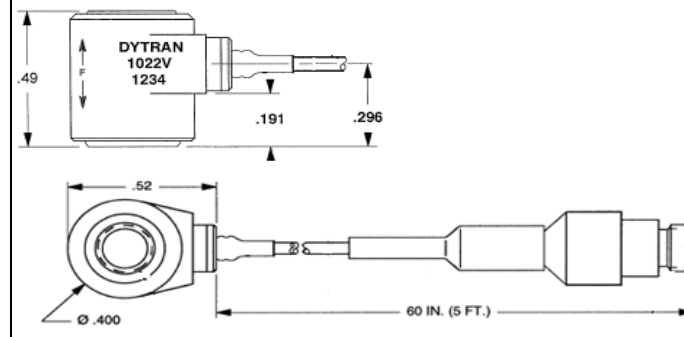
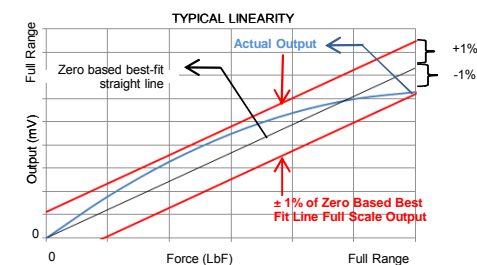
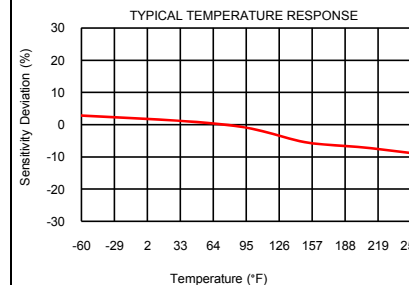
Refer to the performance specifications of the products in this family for detailed description

Supplied Accessories:

- 1) Accredited calibration certificate (ISO 17025)
- 2) Model # 6200 Be Cu Mounting Stud (2)
- 3) 6742 Removal tool

Notes:

- [1] Connector mounted at end of 5 FT integral cable
- [2] 10-32 tapered hole at top and bottom
- [3] Percent of full scale or of any lesser range, zero based best fit straight line method.
- [4] Do not apply power to this unit without current limiting, 20 mA MAX. To do so will destroy the IC charge amplifier.
- [5] In the interest of constant product improvement, we reserve the right to change specifications without notice.



Units on the line drawing are in inches. Refer to 127-1022V for more information.

