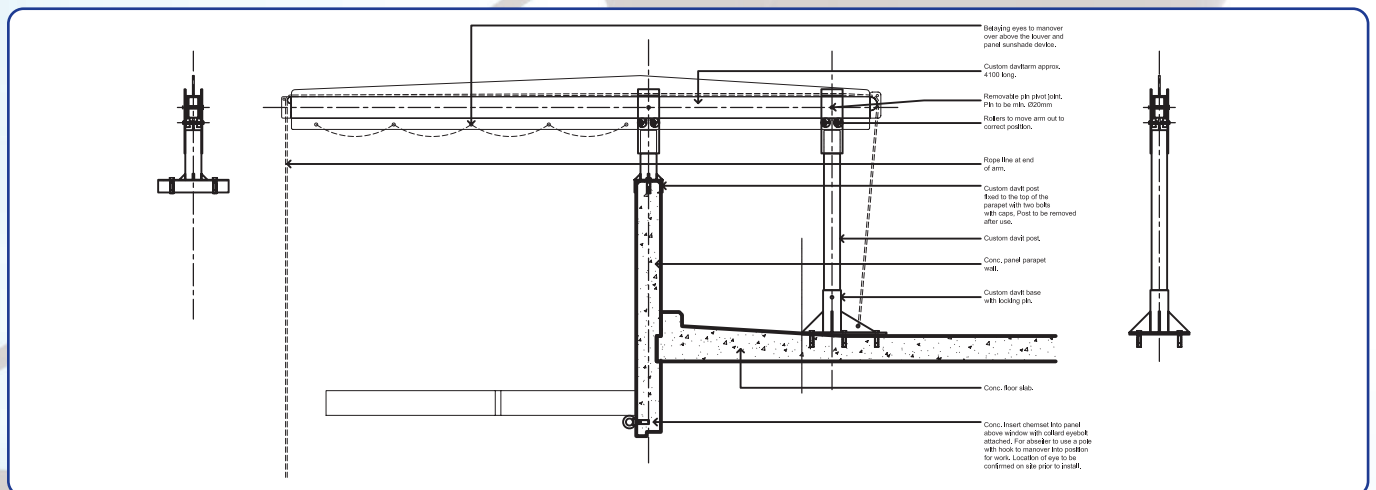
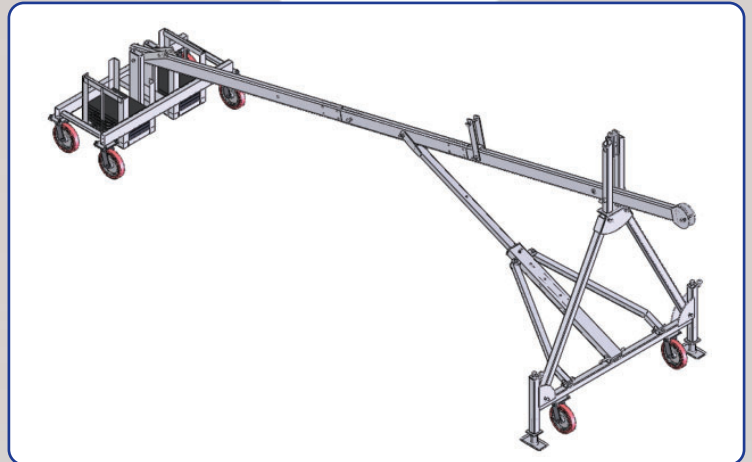
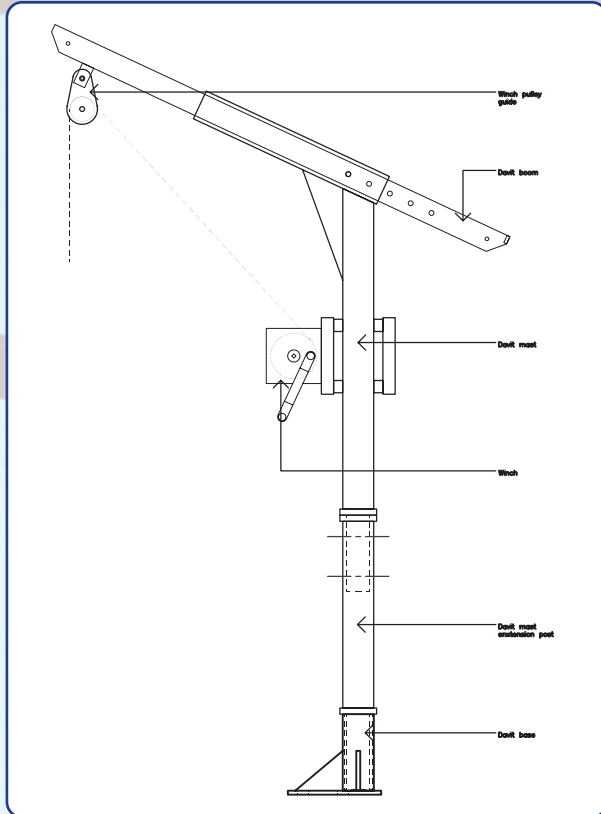


ENGINEERED DAVIT ABSEIL/RESCUE SYSTEM



Our Davit System is an ideal anchorage connector where temporary anchorages are required. Component based, you will be able to mix and match your product requirements as the line continues to expand. The surface mounted davit consists of a base, davit mast and davit boom. The ladder davit consists of a ladder-top base and davit mast.

The davit mast and boom, used in conjunction with our range of winches and PPE, provide the necessary requirements for accessing and retrieval into confined space. With the davit system, the components are interchangeable, so the system can be adapted to suit a wide range of applications.

| CODE | ITEM | DESCRIPTION | PRICE (EXCL. GST) AUD\$ |
|--|---|--|-------------------------|
| SAFP 6600/00 | DAVIT FIXED BASE | ENTRY/RESCUE Davit fixed base - General purpose base (Cat F) | \$680.00 |
|  | | | |
| SAFP 6600/01 | DAVIT FLUSH MOUNT CORE SLEEVE | ENTRY/RESCUE Davit concrete sleevebased core Flush mount core sleeve (Cat F) | \$340.00 |
|  | | | |
| SAFP 6600/02 | DAVIT FLUSH MOUNT CORE SLEEVE WITH FLANGE | ENTRY/RESCUE Davit concrete sleeve with flange Flush mount sleeve with flange (Cat F) | \$540.00 |
|  | | | |
| SAFP 6670/24 | STANDARD DAVIT MAST | ENTRY/RESCUE Standard davit mast To suit 300mm to 600mm boom (Cat F) | \$1723.00 |
|  | | | |
| SAFP 6670/48 | DAVIT MAST FOR EXTENDED BOOM | ENTRY/RESCUE Mast for extended boom (655mm to 1200mm) (Cat F) | \$2813.00 |
| SAFP 6680/24 | DAVITBOOM | ENTRY/RESCUE Davit boom 300mm to 600mm Standard boom reach (Cat F) | \$479.00 |
| SAFP 6680/48 | DAVIT BOOM | ENTRY/RESCUE Davit boom 900mm to 1200mm Extended boom reach (Cat F) | \$1583.00 |

Contact us for your
COMPLETE PACKAGE
PRICE, including the
ENGINEERED DESIGN
applicable to
your project!

ENGINEERED DAVIT ABSEIL/RESCUE SYSTEM



| CODE | ITEM | DESCRIPTION | PRICE (EXCL. GST) AUD\$ |
|------|------|-------------|-------------------------|
|------|------|-------------|-------------------------|

SAFP6661

LADDER MOUNTED
DAVIT BASE

ENTRY/RESCUE
Davit fixed base - General purpose base
(Cat F)

\$620.00



Contact us for your
**COMPLETE PACKAGE
PRICE**, including the
ENGINEERED DESIGN
applicable to
your project!

SAFP
6663/00

PORTABLE DAVIT BASE

ENTRY/RESCUE
Portable davit base
(Cat F)

\$3147.00



SAPPS

PIT PROTECTION
SYSTEM KIT

Kit includes: SASWI 1500X900 Safe-T-Net
SAFP 6600/02 Davit Flush Mount Core Sleeve
SAFP 6670/24 Standard Davit Mast
SAFP 6680/24 Standard Davit Boom
NC15TS Rescue Winch 15M
Standard Baracade System

\$6942.00



(Cat F)

Note: The fixed items required for every pit are:
SASWI NET: \$724.00
DAVIT CORE SLEEVE: \$540.00

SARJ

ROOF JOCKEY PORTABLE
ABSEILING SYSTEM

The Roof Jockey is engineered to provide access for abseiling when the parapet is not able to carry the load or can't be damaged by rope being strung over them.
Is also used to extend past obstructions.
The Roof Jockey can be designed for many different application.

\$8500.00 NETT

